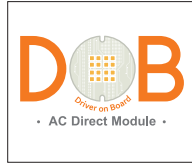


CFR 12/15/17

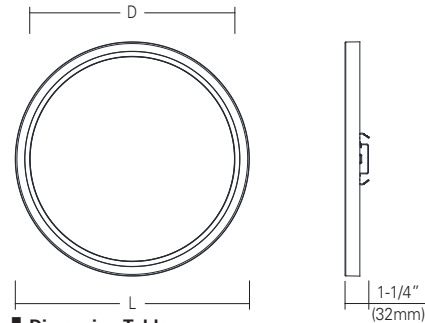
120V, 220V-230V and 277V

12", 15", 17" LED Slim edge-lit Round Panel Light



Catalog #		Type
Project		Date
Prepared by		

5", 7", 9", 12", 15" & 17" LED



Dimension Table

Housing	[CFR12-22]	[CFR15-30]	[CFR17-30]
L (Overall Diameter)	12-1/2" (Ø317.7mm)	-	17" (Ø432.3mm)
D (Diffuser Diameter)	11-1/16" (Ø281mm)	-	14-3/4" (Ø374mm)

DESCRIPTION

CFR series is designed for the installation with ceiling flush mount with its slim depth. It's designed to either use a direct 4" J-Box or allow exiting recessed can to be retrofitted by easy fit springs. Specially layered film/diffuser delivers superior light distribution and even uniformity.

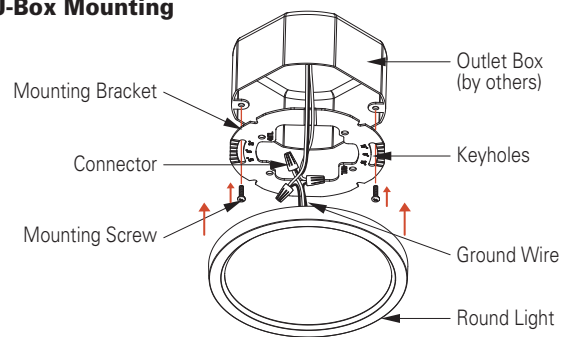
SPECIFICATION

HOUSING	CFR12-22	CFR15-30	CFR17-30
Wattage (Typ)	22W	30W	30W
Lumen (Typ)	1,400(90CRI)	2,000(90CRI)	2,000(90CRI)
Efficacy (LPW)	64 lm/W	66 lm/W	66 lm/W
Beam Angle	100°		
CRI (Typical)	80, 90		
Color (+/-5%)	2700K, 3000K, 3500K, 4000K, 5000K		
Dimming	Triac(Consult with factory for approved dimmers)		

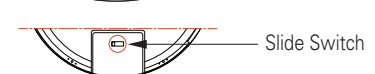
FEATURES and FUNCTIONS

- 120V AC LED module with integrated IC chip imbed on board and 10-100% Triac dimming with most of leading and trailing edge dimmer switches in the market.
- Hard gauge metal back plate and the heat sink to facilitate heat dissipation.
- Mounting on 4" J-box with 2 screws from base plate.
- 90CRI Standard. Available in 2700K, 3000K, 3500K, 4000K and 5000K.
- Triac dimmable standard.
- 5CCT Selectable built-in slide switch at bottom of housing.

J-Box Mounting



Bottom View



Listing

- CSA-us Certificated
- Energy star Approved & Listed
- State of California Title 24
- Damp location

Warranty

- 5years of lamp life.

ORDERING INFORMATION

Housing	CCT Selectable	CRI	CCT	Finish	Optional Kit for Recess Mount
CFR12-22 12", 22W	-Blank Single CCT	8 80	27 2700K	WH White	6MTL-B CFR5 & CFR7 kit for 6" Recess cans
CFR15-30 15", 30W	-CST 5CCT selectable	9 90	30 3000K	BK Black	
CFR17-30 17", 30W			35 3500K	SL Silver	
			40 4000K		
			50 5000K		

*Consult with factory for CCT range

*Consult with factory for custom finishes

Example : CFR12-22-CST-930-WH

- - -